

PH6005-1AR1B-F

适用于SIS系统中DO信号配套
Applied in SIS controller DO signals input

电源特性 Power data

| | |
|--------------------------|----------------|
| 供电电压 Supply voltage | 16~35V DC |
| 电流损耗 Current consumption | ≤60mA (24V DC) |

输入特性 Input data

| | |
|------------------------|--|
| 通道数 Number of channels | 1 |
| 输入电流 Input current | ≤60mA (24V DC) |
| 导线电阻 Cable resistance | ≤15Ω |
| 输入设备 Input devices | SIS系统DO信号配套 SIS controller DO signals |

输出特性 Output data

| | |
|----------------------------------|-----------------------|
| 触点数量 Number of contacts | 1NO+1NC |
| 触点材料 Contact material | Ag-alloy |
| 触点熔丝保护 Excontact fuse protection | 5A (Replaceable) |
| 切换容量 Utilisation category | 5A/250V AC; 5A/24V DC |

时间特性 Time data

| | |
|----------------------------------|-------|
| 吸合缓冲时间 Switch-on delay | ≤30ms |
| 释放缓冲时间 Delay-on de-energisation | ≤30ms |
| 恢复时间 Recovery time | ≤30ms |
| 电源短时中断 Supply short interruption | 20ms |

环境特性 Environmental data

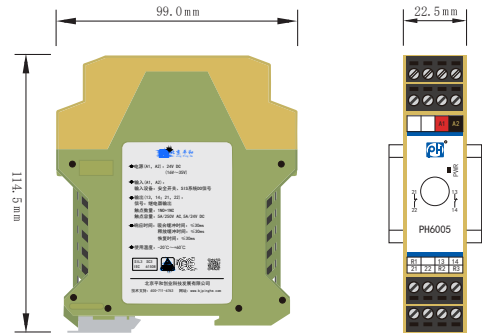
| | |
|--------------------------|--------------------------------------|
| 电磁兼容 EMC | EN 60947, EN 61000-6-2, EN 61000-6-4 |
| 振动频率 Vibration frequency | 10Hz~55Hz |
| 振动幅度 Vibration amplitude | 0.35mm |
| 使用温度 Ambient temperature | -20°C~+60°C |
| 储存温度 Storage temperature | -40°C~+85°C |
| 相对湿度 Relative humidity | 10%~90% |

绝缘特性 Insulation data

| | |
|---|------------------|
| 过压等级 Overvoltage category | III |
| 污染等级 Pollution degree | 2 |
| 额定绝缘电压 Rated insulation voltage | 250V AC |
| 额定冲击电压 Rated impulse voltage | 6000V (1.2/50μs) |
| 绝缘强度 Dielectric strength | 1500V AC, 1min |
| 电气间隙和爬电距离 Clearance and creepage distance | EN 60947-1 |

功能安全参数 Functional safety parameters

| | |
|-------------|------|
| 安全完整性等级 SIL | SIL3 |
|-------------|------|



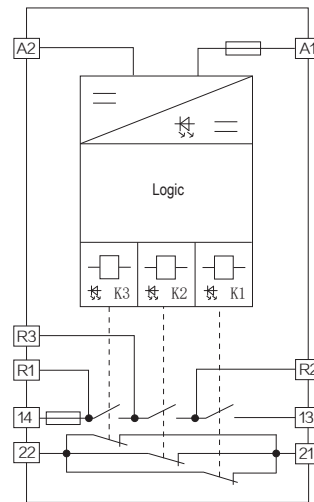
高H × 宽W × 深D : 99mm × 22.5mm × 114.5mm



产品特性 Features

- 三重冗余 Triple redundancy
- 可更换熔丝设计(型号中F表示)
Replaceable fuse design(Represented by F in the model)
- 带Proof Test测试端(型号中R表示)
With proof test terminal(Represented by R in the model)

功能框图 Block diagram



接线示意图 Wiring diagram

