



产品概述

用于第三级的三相电源浪涌保护器，采用相线对零线，以及零线对地的共差模保护模式，适合安装在TT供电制式的分路配电柜，以及其他LPZ2区与LPZ3区和后续分区的交界处。

Product overview

This SPD is a three-phase power surge protector used in the third stage, adopts the common differential mode protection mode of phase line to zero line and zero line to ground, which is suitable for installation in TT power supply system shunt distribution cabinet and the junction of other LPZ2 areas, LPZ3 areas and subsequent areas

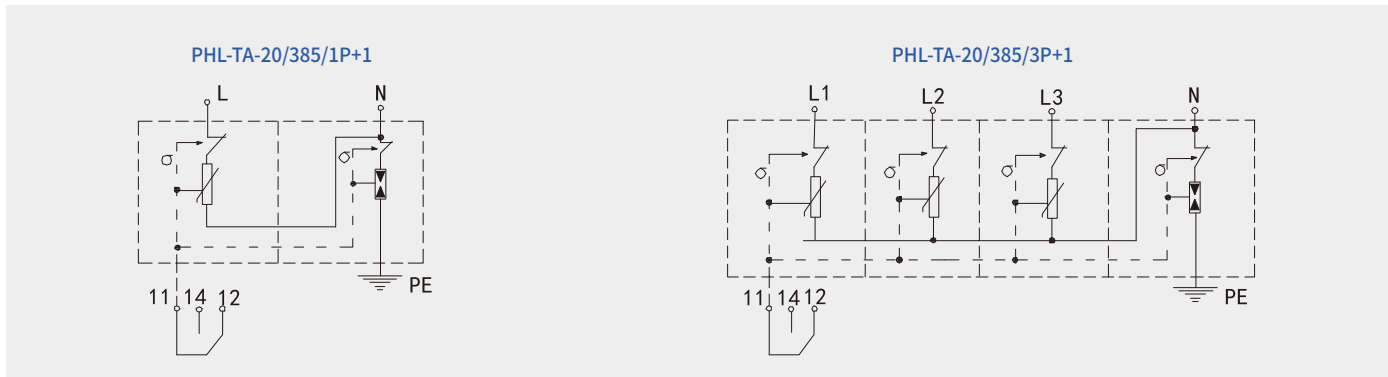
主要特点

Main characteristics

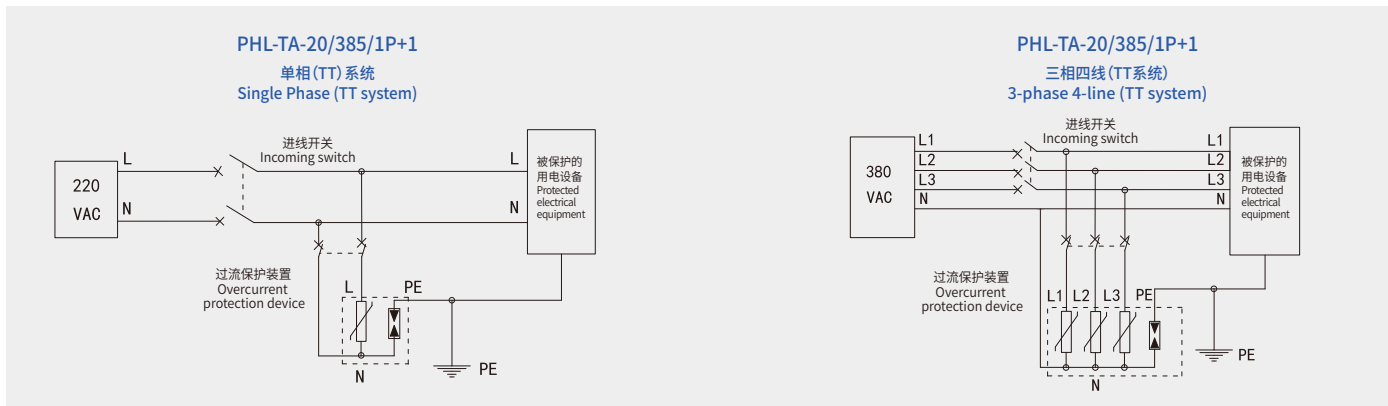
- 底座预连接, 方便接线
Pre-wiring at base, convenient to wiring
- 可轻松插拔模块, 便于更换
plug-in modules for easy replacement.

技术数据 Technical data

	PHL-TA-20/275	PHL-TA-20/385	PHL-TA-20/275	PHL-TA-20/385
额定工作电压Un Rated operating voltage Un		220VAC		220VAC
最大工作电压Uc Maximum operating voltage Uc	275VAC	385VAC	275VAC	385VAC
标称放电电流In(8/20μs) Nominal discharge current In (8 / 20μs)	10KA	10KA	10KA	10KA
最大放电电流Imax(8/20μs) The maximum discharge current (8 / 20μs)	20kA	20kA	20kA	20kA
保护电压Up(In下) Protection voltage Up (under In)	<1200V	<1500V	<1200V	<1500V
连接导线截面积 Cross-sectional area of connecting wire	1.5mm ² ~25mm ² 软线 1.5mm ² ~25mm ² flexible wire		1.5mm ² ~25mm ² 软线 1.5mm ² ~25mm ² flexible wire	
响应时间 Response time	<25ns		<25ns	
漏电流 Leakage current	<10μA		<10μA	
外壳防护等级(符合IEC 60529) Degrees of protection provided by enclosure (in line with IEC 60529)	IP 20		IP 20	
外壳材料/阻燃等级 Housing material/flammability rating	UL94-V0		UL94-V0	
测试标准 Test standard	GB 18802.1/IEC 61643-1		GB 18802.1/IEC 61643-1	
适合电源系统 Applied power system	单相(TT系统) Single Phase (TT system)		三相四线(TT系统) 3-phase 4-line (TT system)	
老化指示功能 Aging indicator function	有(指示窗口有绿色变为红色) Yes(Indicator window turns from green to red)		有(指示窗口有绿色变为红色) Yes(Indicator window turns from green to red)	
熔断器或断路器选型(A) Fuse or circuit breaker selection(A)	25、32		25、32	
老化热脱离功能 Aging thermal separation function	有 Yes		有 Yes	
工作温度范围 Working temperature range	-40~+80°C		-40~+80°C	
安装方法 Installation method	35mmDIN导轨 DIN35mm rail		35mmDIN导轨 DIN35mm rail	



接线方式 Schematic diagram



外形尺寸 Dimension drawings

